

All dimensions are in millimeters / Tolerance is +/- 0.25 unless otherwise noted

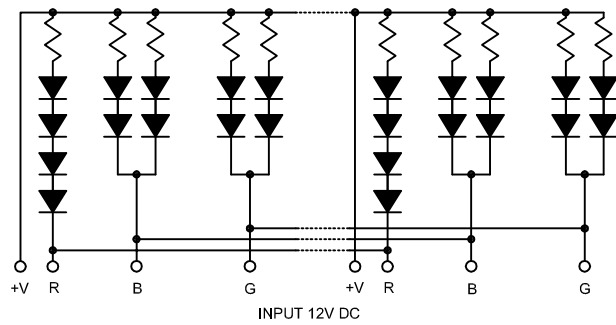
15mm wide flexible PCB with self-adhesive back

Emitting Colour: Full Colour (Red, Green, Blue)

Number of LEDs: 20

Maximum length of PCB with power feed at one end: 2000mm (5 Modules)

RoHS compliant



Electrical / Optical Characteristics at Ta=25°C

Symbol	Parameter	Colour	Min.	Typ.	Max.	Conditions
$2\theta_{1/2}$	Viewing Angle			100°		
Φ_v	Luminous Flux (per 4 LEDs)	Red		1.5lm		
		Green		3.5lm		
		Blue		2.3lm		
λ_{dom}	Dominant Wavelength	Red		621nm		
		Green		525nm		
		Blue		470nm		
$\Delta\lambda_{1/2}$	Spectral Line Half Width	Red		20nm		
		Green		38nm		
		Blue		25nm		
V_B	Operation Voltage	Red		12V DC		
		Green		12V DC		
		Blue		12V DC		
I_B	Operation Current	Red		110mA		$V_B = 12V$
		Green		200mA		
		Blue		200mA		
m	Weight			9.4g		

Absolute Maximum Ratings at Ta=25°C

Parameter	Red / Green / Blue
Power Consumption	1.7W / 3.1W / 3.1W
Operation Voltage	13V DC
Maximum Current when connected in parallel	1.5A / 2.5A / 2.5A
Operation Temperature	-25°C to 55°C
Storage Temperature	-25°C to 85°C



CML Technologies GmbH & Co. KG
D-67098 Bad Dürkheim

Flexible Bar LED Module - Full Colour (RGB)

Revision:	Date:	Name:	Drawn: J.J.	Ch'd: D.L.	Date: 05.04.06
			Scale: 1 : 1	Datasheet:: LM-FB20F-12	